

2025 Dental Implant Conference Booth Construction and Layout



LINEAR BOOTHS: At the Dental Implant Conference, booth spaces are **10' wide by 8' deep**, with a maximum back wall limitation of 8' high. This is with the exception of booths 103, 105, 107, 109, 111, 113, 115, 117, 119 and 121, which are 10' wide and 7' deep.

Regardless of the number of linear booths utilized (i.e., 8'x20', 8'x30' or 8'x40'), display materials should be arranged so as not to obstruct sight lines of neighboring booths. The maximum height of 8' is allowed only in the rear of the booth space, with a 4' height restriction imposed on all materials in the remaining space forward to the aisle.

When three or more linear booths are used in a combination as a single exhibit space, the 4' height limitation is applied only to the portion of exhibit space that is within 10' of an adjoining booth.

CORNER BOOTHS: A corner booth is a linear booth exposed to aisles on two sides. All other guidelines for linear booths apply.

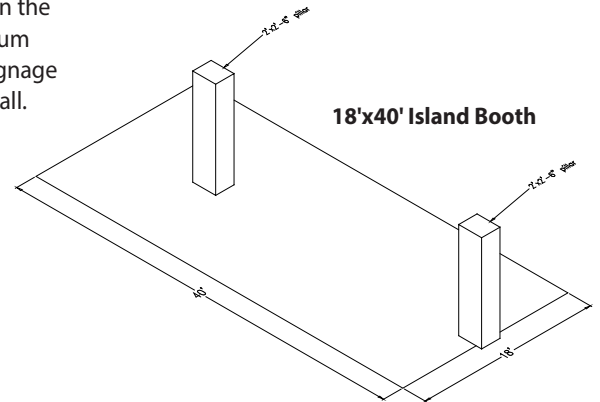
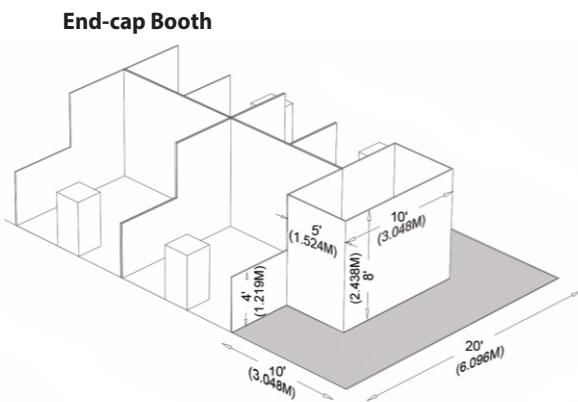
END-CAP BOOTHS: An end-cap booth is exposed on three sides and composed of two booths. End-cap booths are 10' deep by 18' wide. A back wall of 8' height and 9' wide is required in the rear of the booth space and within 4.5' of the two side aisles. A 4' height restriction is imposed on all materials in the remaining space forward to the aisle.

PENINSULA BOOTHS: A peninsula booth is exposed to aisles on three sides and composed of a minimum of four booths. There are two types of peninsula booths: (a) one that backs up to linear booths, and (b) one that backs up to another peninsula booth and is referred to as a "split island booth."

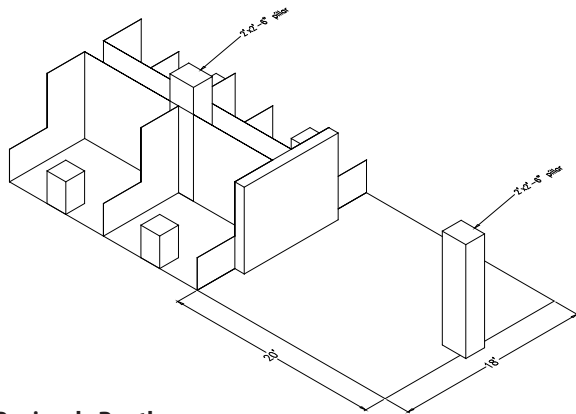
Note: Pillars are in front of or in the center of peninsula booths.

Dimensions: When a peninsula booth backs up to two linear booths, the back wall is restricted to 4' high and within 4.5' of each aisle, permitting adequate line of sight for the adjoining linear booths. A back wall of 8' height and 9' wide is required in the rear of the booth space. The maximum height allowance is 10', including signage for the center portion of the back wall. (See Regulation 20 on page 2 of the Exhibition Regulations document.)

ISLAND BOOTHS: Dimensions of an island booth will be 18' x 40' only. An island booth is any size booth exposed to aisles on all four sides. The entire cubic content of the space may be used up to the maximum allowable height, which is 10', including signage. Email booth design and measurements to dodonnell@aaoms.org at least 60 days prior to the conference for review and approval. *Final floor plan is subject to fire marshal approval.*



18'x20' Peninsula Booth



18'x30' Peninsula Booth

